



INTEGRATION GUIDE | PUBLIC  
SAP TM 9.6 FPS02  
2019-10-09

# Integration of SAP TM with SAP NetWeaver BW

# Content

- 1     **Integration of SAP TM with SAP NetWeaver BW. . . . . 4**
- 2     **DataSources for Master Data and Texts. . . . . 12**
- 3     **DataSources for Transactional Data. . . . . 16**
- 4     **Defining the BW Relevance for Business Document Types. . . . . 18**
- 5     **Setting Up the Initial Data Upload to SAP NetWeaver BW. . . . . 21**
- 6     **Enabling a Delta Data Upload to SAP NetWeaver BW in SAP TM. . . . . 25**
- 7     **Enrichment of Location Master Data with the Continent Field. . . . . 27**
- 8     **Specifying Metachains and Process Chains for SAP TM BI Content. . . . . 28**
- 9     **Business Add-Ins. . . . . 31**

# Legal Disclaimer

## Caution

This document contains sample configuration content. Unless expressly stated otherwise in your agreements with SAP, this sample content is not part of SAP product documentation and you may not infer any product documentation claims against SAP based on this information.

# 1 Integration of SAP TM with SAP NetWeaver BW

## Use

You use this guide to configure the integration of SAP Transportation Management (SAP TM) and SAP NetWeaver Business Warehouse (SAP NetWeaver BW).

### i Note

Since the visualization of query results in the business applications in SAP TM uses SAP Netweaver Portal applications, you should set up SAP Netweaver Portal and connect it to the SAP Netweaver BW and SAP TM Systems.

## Prerequisites

### Prerequisites in SAP TM

- You have transferred the application component hierarchy in transaction `RSA9`.
- You have transferred and activated the DataSources in transaction `RSA5`.  
You find the DataSources below the hierarchy node *Transportation Management DataSources* (`0SCM_TM_DATASOURCES`):
  - `0SCM_TM` (Transactional DataSources)
  - `0SCM_TM-IO` (Text DataSources)To select and activate a DataSource choose a DataSource or node. Choose *Select Subtree* and *Activate DataSources*.
- If you want DataSources to update reference InfoObjects used by SAP TM Content in SAP NetWeaver BW, the following DataSources are of interest:
  - `0APO_LOCNO_ATTR`
  - `0APO_LOCNO_TEXT`
  - `0BPARTNER_ATTR`
  - `0BPARTNER_TEXT`
  - `0PRODUCT_TEXT`
  - `0COUNTRY_TEXT`

### i Note

`0APO_LOCNO_ATTR` contains a *Continent* field that is only available for SAP TM if you have activated the service API Business Add-In for the enrichment and have maintained the *Continent* Customizing for SAP NetWeaver BW.

### Prerequisites in SAP BW

- You have connected the SAP TM source system to the SAP NetWeaver BW system and replicated the DataSources in transaction `RSA1`. To do so, you have chosen ► [Modeling](#) ► [Source Systems](#) ► [Create BW Source System](#) ►. As a result, the source system is displayed in the system list. For this source system, you have executed the [Replicate Data Sources](#) function.
- You have activated the business content for application component `0SCM_TM` (SCM Transportation Management). As a result, the system generates active version *A* from the delivered business content version *D*. This affects all object types of the application component, such as DataSources or MultiProviders.  
You have activated the relevant process chains in transaction `RSA1` by choosing ► [BI Content](#) ► [Object Type](#) ► [Process Chain](#) ►. To perform the activation, you have selected, transferred, and installed the process chains.

### Prerequisites in SAP Netweaver Portal

- You have connected the SAP Netweaver BW system to the SAP NetWeaver Portal. A detailed description can be found at <http://help.sap.com/nw74> ► [Application Help](#) ► [Function-Oriented View](#) ► [SAP Business Warehouse](#) ► [Configuration](#) ► [Automatically Configuring BI Java](#) ► [Setting Up BW Systems in the System Landscape in the Portal](#) ► [Creating BW Systems in the Portal](#) ►
- You have maintained the system alias `SAP_BW` in the enterprise portal to point to your BW system.

#### i Note

The iViews that are used can be found in the enterprise portal under ► [Portal Content](#) ► [Content Provided by SAP](#) ► [End User Content](#) ► [Platform Add-Ons](#) ► [Business Intelligence](#) ► [iViews](#) ►. These iViews are delivered as part of the standard delivery of the enterprise portal.

## Process

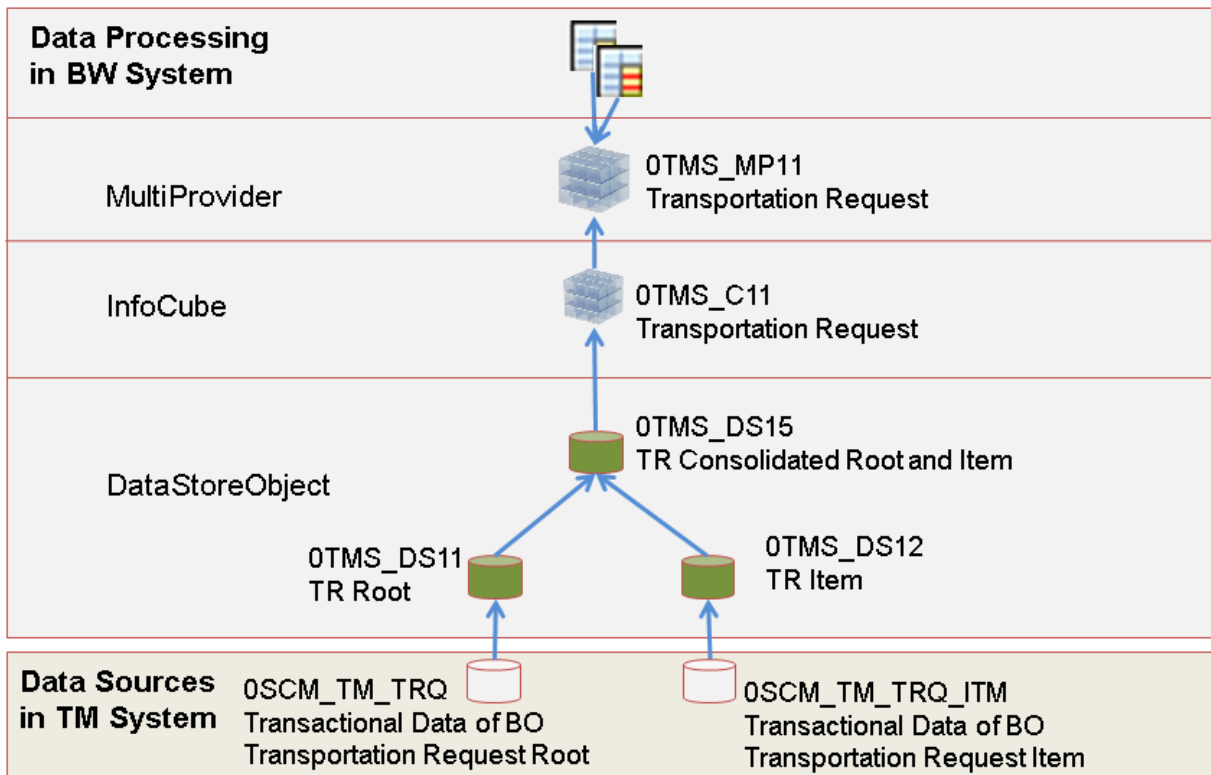
The data gets loaded from the SAP TM system to the SAP NetWeaver BW into the Persistent Staging Area (PSA). The data model and the data flow are important for performing the transaction data uploads and verifying the results. The figures below illustrate the data flow for the individual business objects (BOs):

- Transportation Request (TR)
- Transportation Order (TO)
- Forwarding Settlement Document (FWSD)
- Freight Settlement Document (FSD)
- Business Share (BSH)
- Trade Lane (TDL)
- Freight Agreement (FAG)

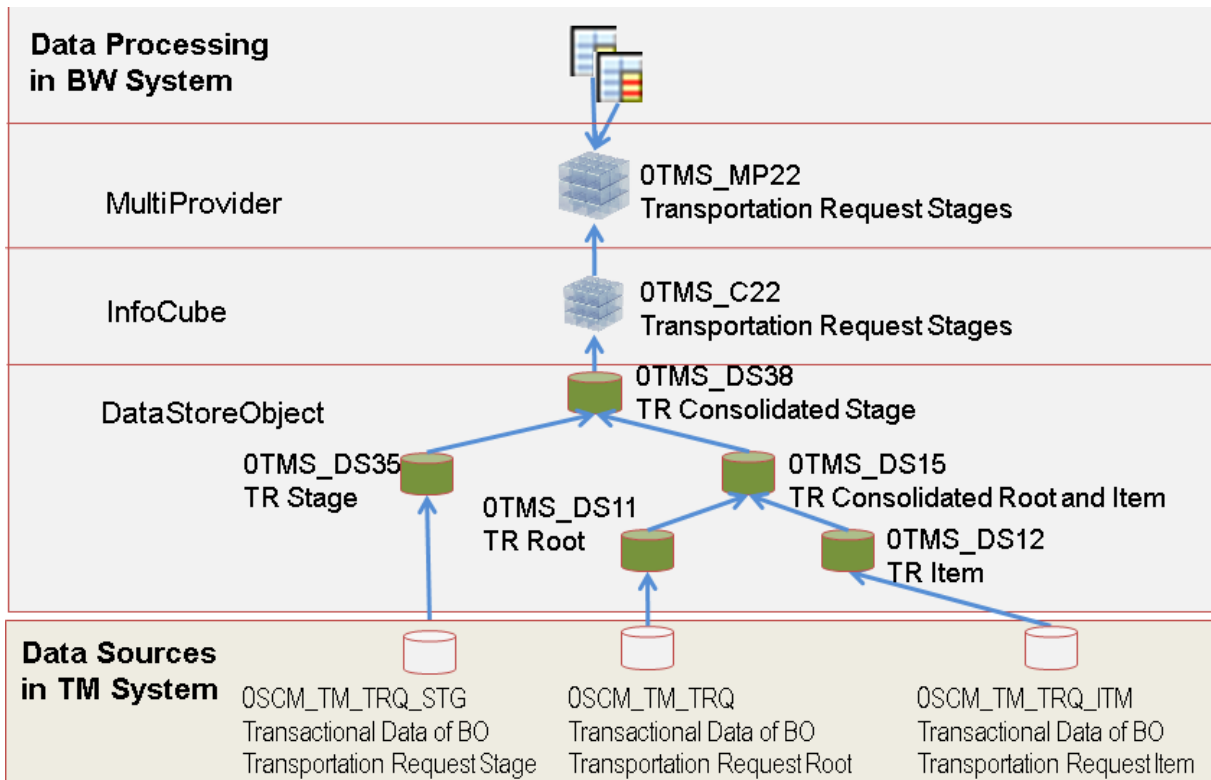
Here a few analysis scenarios that are possible:

#### i Note

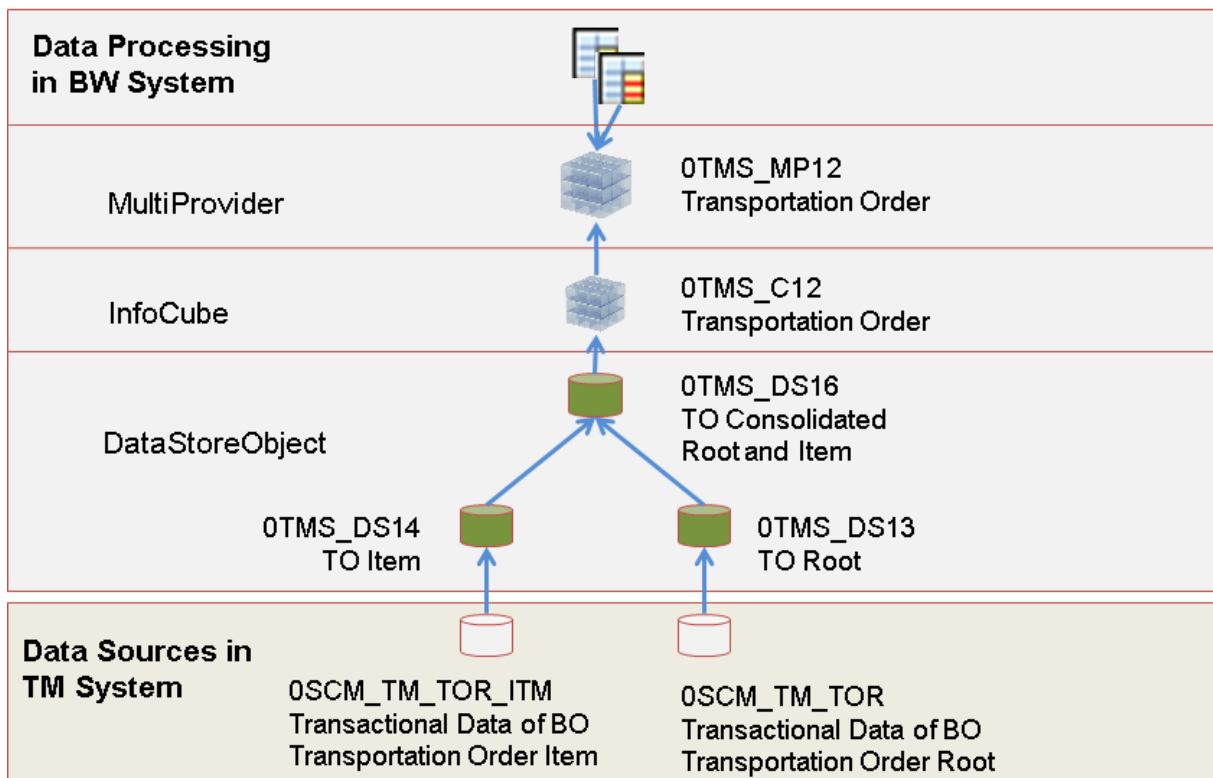
For a complete list of all analysis scenarios, see the SAP Help Portal at <http://help.sap.com> ► [SAP NetWeaver](#) ► [BI Content](#) ► [All Releases](#) ► [SAP NetWeaver 7.4 BI Content 747 SP 07](#) ►.



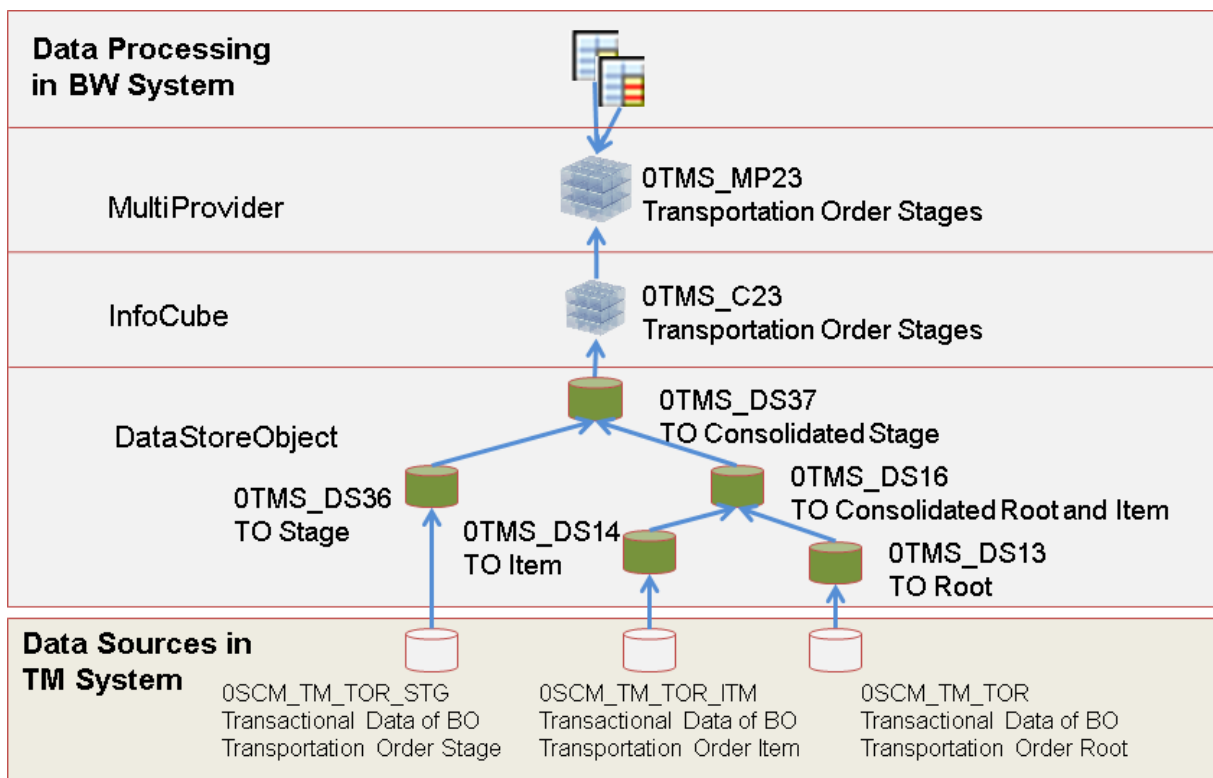
Data flow for business object Transportation Request (TR)



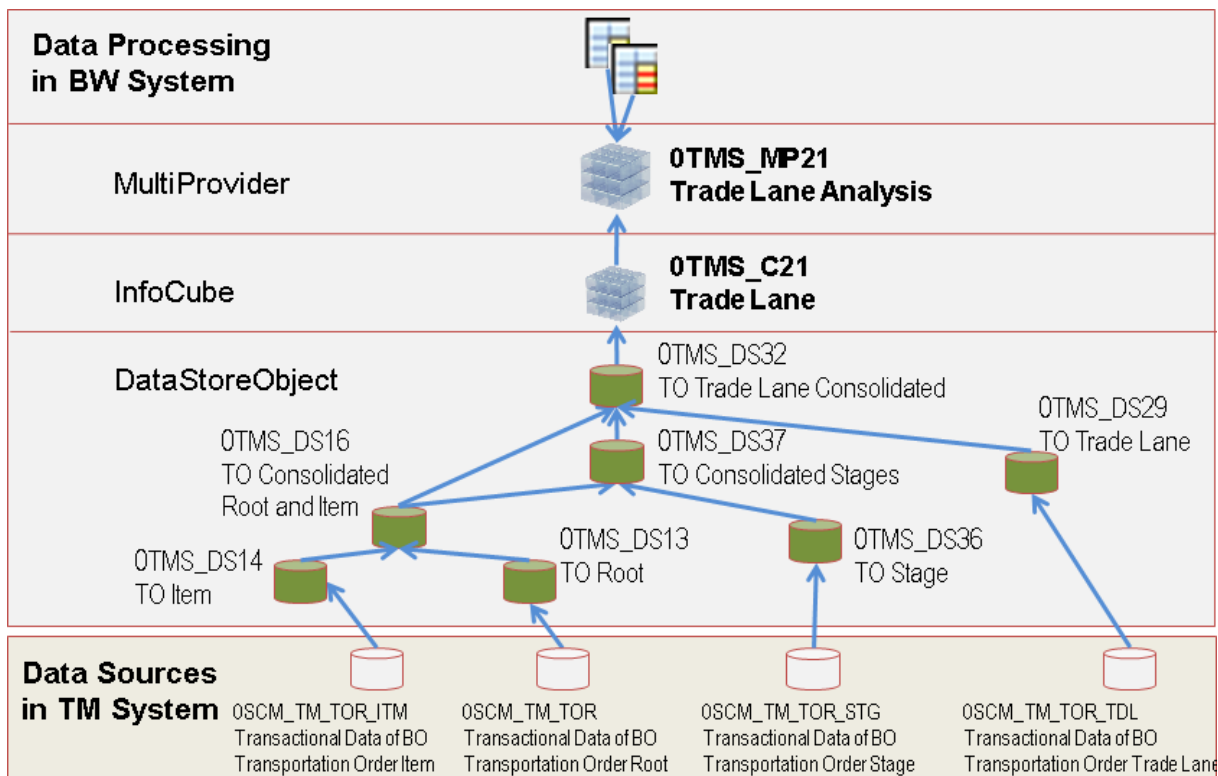
Data flow for business object Transportation Request (TR) enhanced by stages



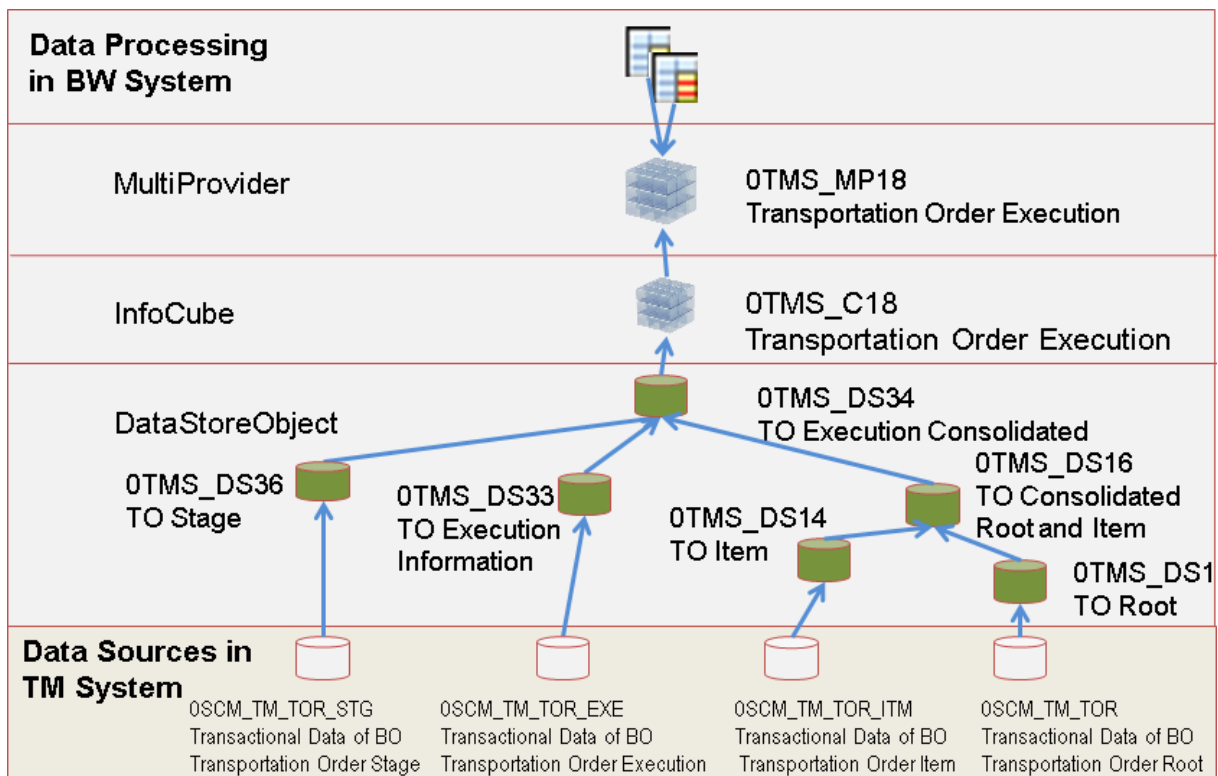
Data flow for business object Transportation Order (TO)



Data flow for Transportation Order enhanced by stages

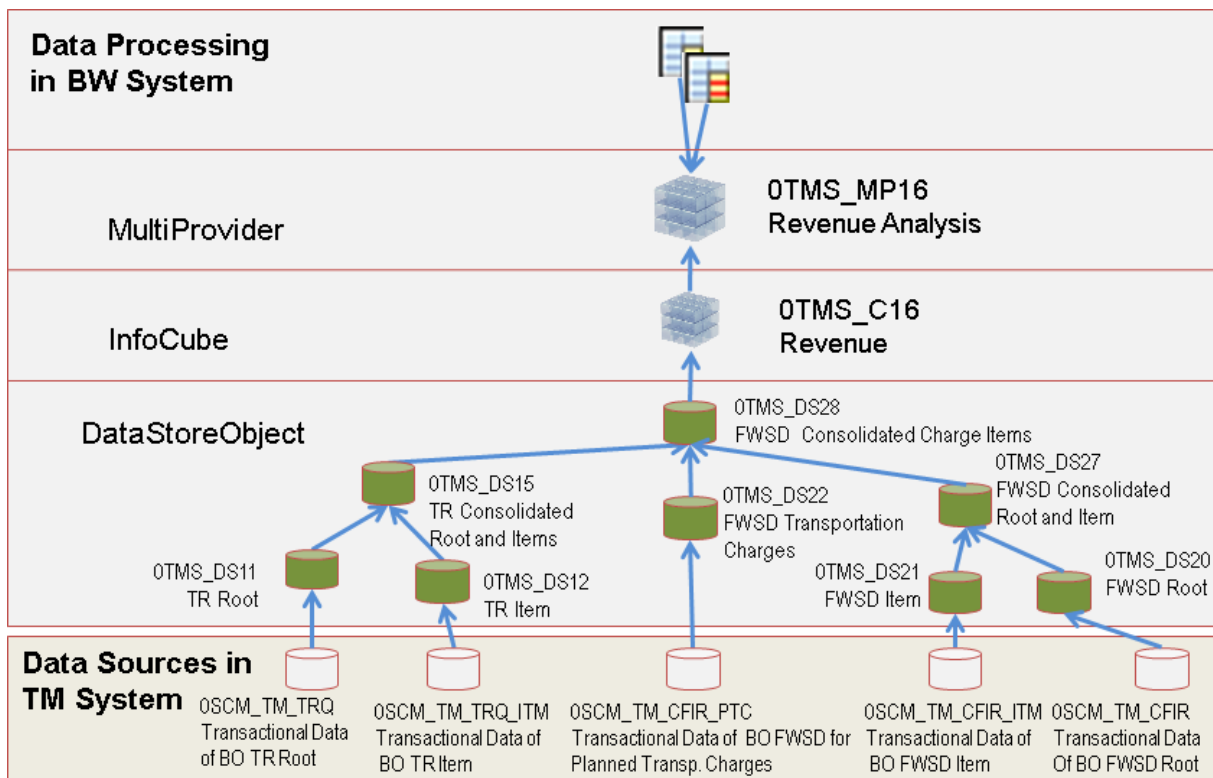


Data flow for Transportation Order enhanced by Trade Lane (TDL)

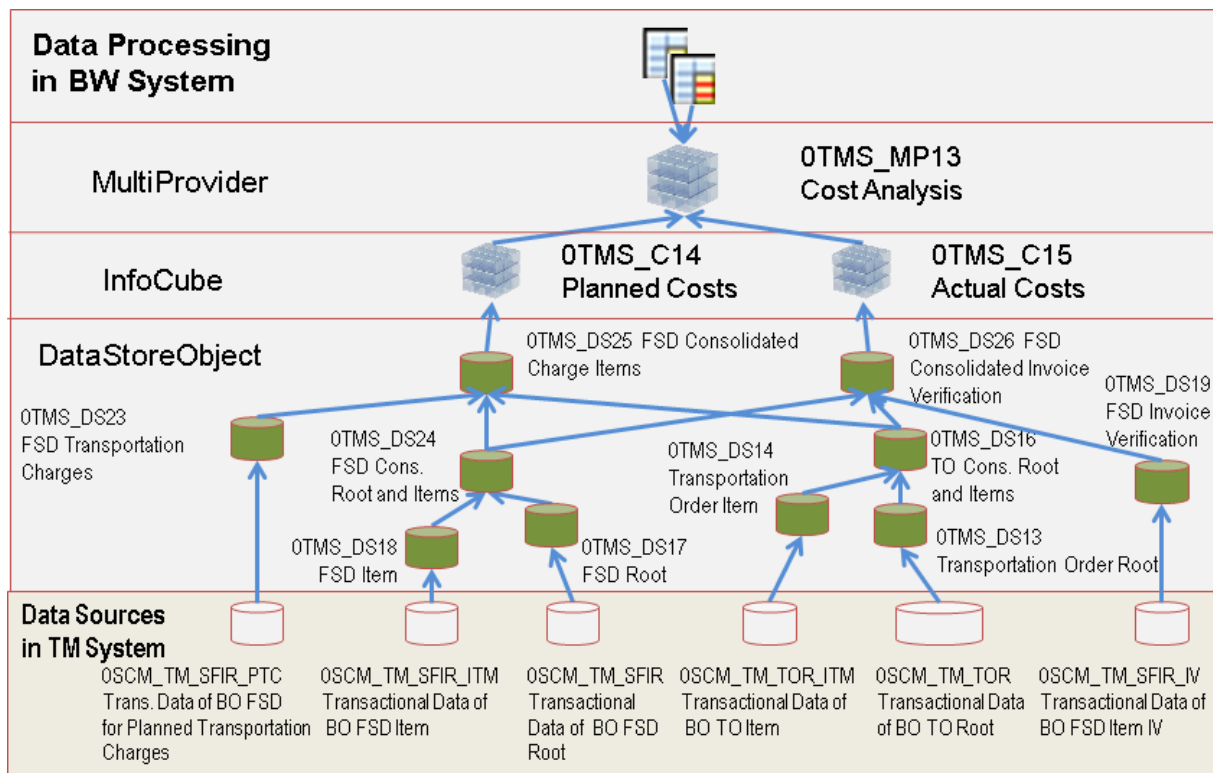


Data flow for Transportation Order enhanced by Execution (EXE)

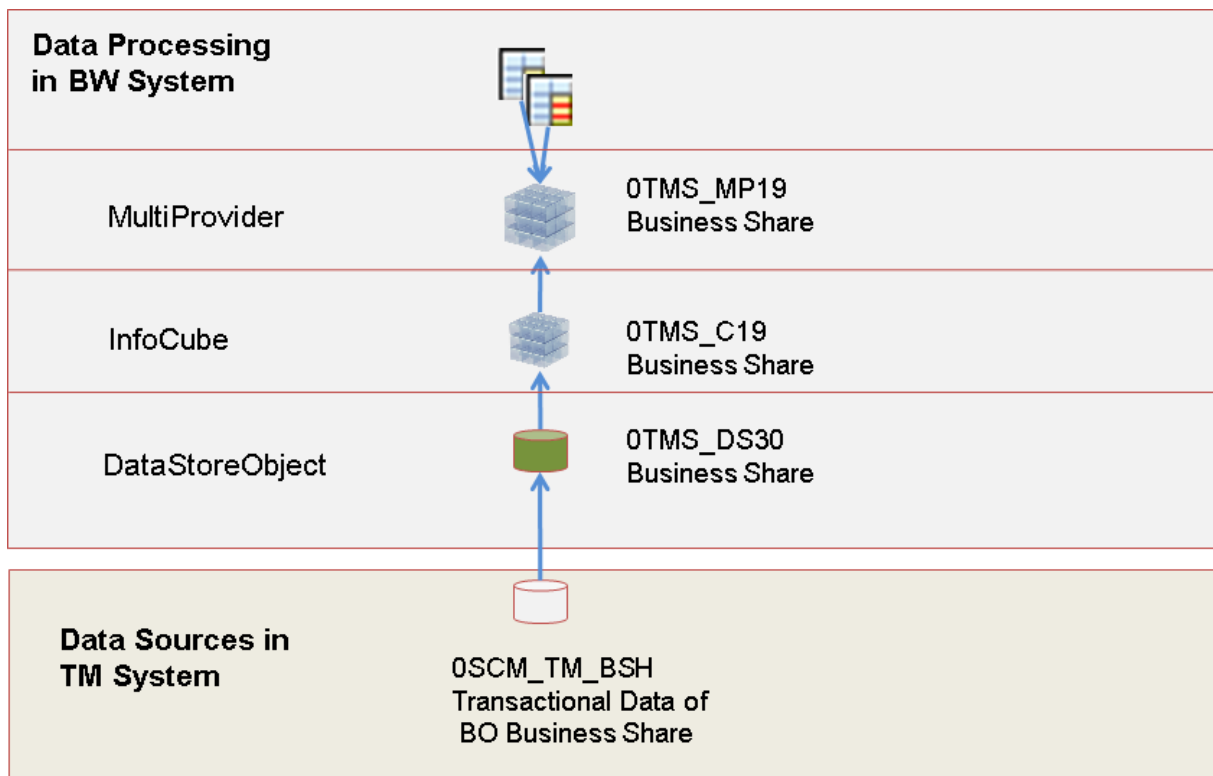




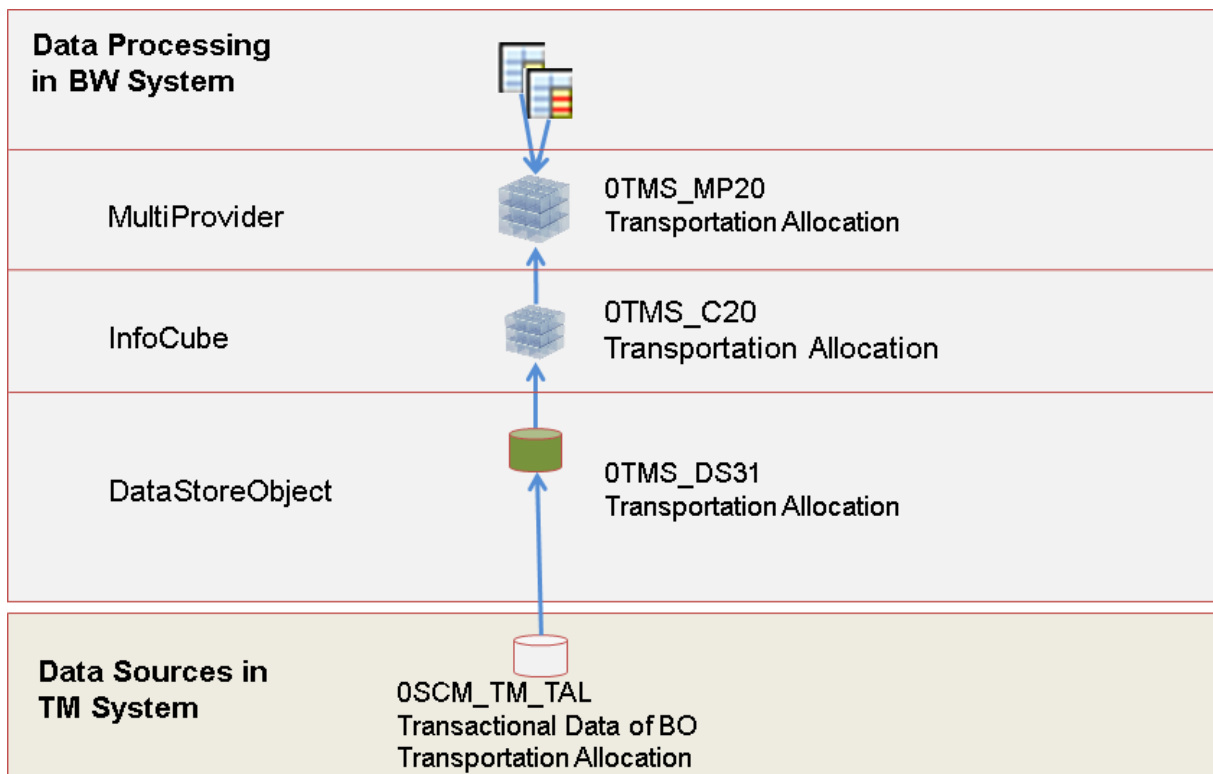
Data flow for business object Forwarding Settlement Document (FWS)



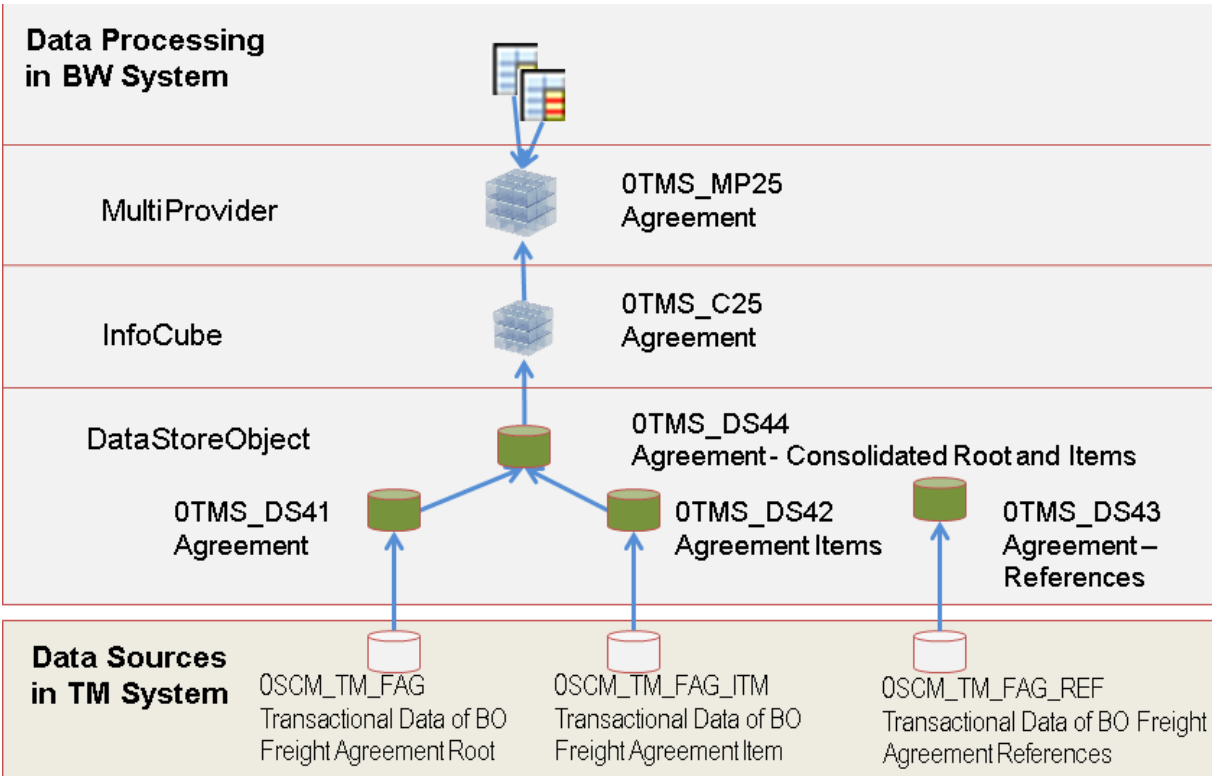
Data flow for business object Freight Settlement Document (FSD)



Data flow for business object Business Share (BSH)



Data flow for business object Transportation Allocation (TAL)



Data flow for business object Freight Agreement (FAG)

## 2 DataSources for Master Data and Texts

The following DataSources are used for master data and texts to transfer data one-to-one from the SAP Transportation Management system to the SAP NetWeaver Business Warehouse system into the Persistent Staging Area and then into the corresponding objects:

- 0SCM\_TM\_AGREEPARTROLE (*Agreement Party Role*)
- 0SCM\_TM\_AIRCRACO (*IATA Aircraft Type Code*)
- 0SCM\_TM\_AIRLINECD (*Airline Code*)
- 0SCM\_TM\_AITYPT (*Item Type*)
- 0SCM\_TM\_BILLS (*Settlement Basis*)
- 0SCM\_TM\_BSHLINETYPE (*Business Share Line Type*)
- 0SCM\_TM\_BTD\_ITEM\_TYPECODE (*Document Item Type for Business Transaction*)
- 0SCM\_TM\_BTD\_TYPE\_CODE (*Document Type for Business Transaction*)
- 0SCM\_TM\_BTPRCD (*Business Transaction Priority Code*)
- 0SCM\_TM\_BUCKET\_TYPE (*Bucket Type for Transportation Allocation*)
- 0SCM\_TM\_CALCLEVEL (*Calculation Level*)
- 0SCM\_TM\_CALRES (*Calculation Resolution Base*)
- 0SCM\_TM\_CARGORCPT (*Cargo Receipt Status on Item Level*)
- 0SCM\_TM\_CCODE (*Commodity Code*)
- 0SCM\_TM\_CCODE\_TYPE (*Commodity Code Type*)
- 0SCM\_TM\_CFIRCAT (*Forwarding Settlement Document Category*)
- 0SCM\_TM\_CFIRCLASS (*Forwarding Settlement Document Classification*)
- 0SCM\_TM\_CFIRCMRCD (*Forwarding Settlement Document Credit Memo Reason*)
- 0SCM\_TM\_CFIRLCS (*Forwarding Settlement Document Life Cycle Status*)
- 0SCM\_TM\_CFIRTYP (*Forwarding Settlement Document Type*)
- 0SCM\_TM\_CHRTYPE (*Charge Type*)
- 0SCM\_TM\_CONSOL (*Buyer's or Shipper's Consolidation*)
- 0SCM\_TM\_CONTINENT (*Continent*)
- 0SCM\_TM\_CONTRBAS (*Contract Basis*)
- 0SCM\_TM\_CREATYP (*Creation Type of Transportation Order*)
- 0SCM\_TM\_DGOERROR (*Dangerous Goods Check Error*)
- 0SCM\_TM\_DIMWPT (*Dimensional Weight Profile*)
- 0SCM\_TM\_DISTLVL (*Distribution Level for Transportation Charge Distribution*)
- 0SCM\_TM\_DSTICAT (*Distribution Category*)
- 0SCM\_TM\_DTTYPE (*Downtime Type*)
- 0SCM\_TM\_FAGDSC (*Agreement Description Text*)
- 0SCM\_TM\_FAGIDSC (*Agreement Item Description Text*)
- 0SCM\_TM\_FAG\_CAT (*Agreement Category*)
- 0SCM\_TM\_FAG\_PRIC (*Agreement Priority*)
- 0SCM\_TM\_FAG\_RSTA (*Agreement Status*)

- 0SCM\_TM\_FAG\_USAC (*Freight Agreement Charge Usage*)
- 0SCM\_TM\_FATYT (*Agreement Type*)
- 0SCM\_TM\_HANDLCAR (*Cargo Execution Status on Item Level*)
- 0SCM\_TM\_IATACODE (*IATA Location Code*)
- 0SCM\_TM\_INCCLCD (*Incoterms Classification Code*)
- 0SCM\_TM\_INSTYPE (*Instruction Type*)
- 0SCM\_TM\_ITMCAT (*Item Category*)
- 0SCM\_TM\_LOCTYPE (*Location Type*)
- 0SCM\_TM\_MOVETYPE (*Movement Type*)
- 0SCM\_TM\_MULTISTOP (*Multi-Stop*)
- 0SCM\_TM\_NATSECSTS (*Country-Specific Air Cargo Security Status*)
- 0SCM\_TM\_ORGEXT (*Organizational Unit External ID*)
- 0SCM\_TM\_ORIENTN\_BW (*Trade Lane Orientation for BW*)
- 0SCM\_TM\_PACKTYPE (*Package Type*)
- 0SCM\_TM\_PRD\_DGPROFL (*DG Indicator Profile*)
- 0SCM\_TM\_PRD\_FRGHT\_GRP (*Product Freight Group*)
- 0SCM\_TM\_PRD\_TRANSP\_GRP (*Product Transportation Group Code*)
- 0SCM\_TM\_REF\_LVL (*Freight Agreement Reference Level*)
- 0SCM\_TM\_REF\_TYP (*Freight Agreement Reference Type*)
- 0SCM\_TM\_RESI (*Resource*)
- 0SCM\_TM\_RFQRST (*RFQ Status Reason*)
- 0SCM\_TM\_RFQTYT (*RFQ Type*)
- 0SCM\_TM\_RFQ\_IPER (*RFQ Item Periodicity*)
- 0SCM\_TM\_RFQ\_ITC (*RFQ Item Type*)
- 0SCM\_TM\_RFQ\_RSC (*Item Status*)
- 0SCM\_TM\_RFQ\_SC (*RFQ Status*)
- 0SCM\_TM\_RSNCNCLCO (*Reason for Cancellation*)
- 0SCM\_TM\_SCON (*All Contractors*)
- 0SCM\_TM\_SCONP (*All Contracting Parties*)
- 0SCM\_TM\_SECSTAT (*General Security Status*)
- 0SCM\_TM\_SET\_BY\_SERVICE (*Origin of Entry*)
- 0SCM\_TM\_SFIRCAT (*Freight Settlement Document Category*)
- 0SCM\_TM\_SFIRCRT (*Freight Settlement Document Creation Type*)
- 0SCM\_TM\_SFIRCST (*Freight Settlement Document Item Confirmation Status*)
- 0SCM\_TM\_SFIRIVT (*Freight Settlement Document Invoice Document Type*)
- 0SCM\_TM\_SFIRLCS (*Freight Settlement Document Life Cycle Status*)
- 0SCM\_TM\_SFIRTST (*Freight Settlement Document Item Transfer Status*)
- 0SCM\_TM\_SFIRTYP (*Freight Settlement Document Type*)
- 0SCM\_TM\_SHIPTYPE (*Shipping Type*)
- 0SCM\_TM\_STAGETYPE (*Stage Type*)
- 0SCM\_TM\_STA\_CAT (*Stage Category*)
- 0SCM\_TM\_STOP\_ASSGN\_CAT (*Stop Assignment Category*)
- 0SCM\_TM\_STOP\_CAT (*Stop Category*)

- 0SCM\_TM\_STOP\_ORIGIN (*Stop Origin*)
- 0SCM\_TM\_STOP\_ROLE (*Stop Role*)
- 0SCM\_TM\_S\_HDL\_EXEC\_STATUS (*Handling Execution Status on Stop Level*)
- 0SCM\_TM\_TALCAT (*Transportation Allocation Category*)
- 0SCM\_TM\_TALDSC (*Transportation Allocation Description Text*)
- 0SCM\_TM\_TALLINETYPE (*Transportation Allocation Line Type*)
- 0SCM\_TM\_TALTYP (*Transportation Allocation Type Text*)
- 0SCM\_TM\_TAL\_LOAD\_TYPE (*Allocation Load Type*)
- 0SCM\_TM\_TCCATC (*Charge Item Category Code*)
- 0SCM\_TM\_TCCLSC (*Charge Item Subcategory Code*)
- 0SCM\_TM\_TCDCHRCAT (*Charge Category*)
- 0SCM\_TM\_TCDCHRSCAT (*Charge Subcategory*)
- 0SCM\_TM\_TCDDISRULE (*Distribution Rule*)
- 0SCM\_TM\_TCDLNTP (*Transportation Charge Distribution Line Type*)
- 0SCM\_TM\_TCETC (*Charge Item Type Code*)
- 0SCM\_TM\_TIME\_DT (*Time Determination Type*)
- 0SCM\_TM\_TMODECA (*Transportation Mode Category*)
- 0SCM\_TM\_TMODECD (*Transportation Mode Code*)
- 0SCM\_TM\_TORCAT (*Transportation Order Category*)
- 0SCM\_TM\_TORCOAL (*Transportation Order Consolidation Allowed*)
- 0SCM\_TM\_TORCONSOLTY (*Consolidation Type*)
- 0SCM\_TM\_TORCUSTACTINB (*Customs Activity Inbound*)
- 0SCM\_TM\_TORDISCR (*Discrepancy*)
- 0SCM\_TM\_TORDISCRBL (*Discrepancy Type Leads to Block or Not*)
- 0SCM\_TM\_TORDISCRTY (*Discrepancy Type*)
- 0SCM\_TM\_TOREVENTSTATUS (*Transportation Order Event Status*)
- 0SCM\_TM\_TOREXECINFO (*Source of Execution Information*)
- 0SCM\_TM\_TOREXEROLECAT (*Execution Role Category*)
- 0SCM\_TM\_TOREXETRANSACT (*Transportation Activity*)
- 0SCM\_TM\_TORLCS (*Transportation Order Life Cycle Status*)
- 0SCM\_TM\_TORTDLRELTYPE (*Relation Type of Trade Lane for BW*)
- 0SCM\_TM\_TORTYP (*Transportation Order Type*)
- 0SCM\_TM\_TRAFFICD (*Traffic Direction*)
- 0SCM\_TM\_TRAZONE (*Transportation Zone*)
- 0SCM\_TM\_TRAZONE\_HIER (*Transportation Zone Hierarchy*)
- 0SCM\_TM\_TRMEANS (*Means of Transport*)
- 0SCM\_TM\_TRQCAT (*Transportation Request Category*)
- 0SCM\_TM\_TRQITEMT (*Type of Transportation Request Item*)
- 0SCM\_TM\_TRQLCS (*Transportation Request Life Cycle Status*)
- 0SCM\_TM\_TRQSHIPSECSTAT (*Shipper Security Status*)
- 0SCM\_TM\_TRQTYP (*Transportation Request Type*)
- 0SCM\_TM\_TRSLCD (*Transportation Service Level*)
- 0SCM\_TM\_TRSLCD\_CARRIER (*Transportation Service Level Code – Carrier*)

- 0SCM\_TM\_TRSLCD\_SALES (*Transportation Service Level Code – Sales*)
- 0SCM\_TM\_TSRT (*Service Type*)
- 0SCM\_TM\_TURESCAT (*Equipment Group*)
- 0SCM\_TM\_TURESTCO (*Equipment Type*)
- 0SCM\_TM\_ULDCLASS (*Unit Load Device Rate Class*)
- 0SCM\_TM\_ULDTYPE (*Unit Load Device Rate Type*)
- 0SCM\_TM\_VEHDESC (*Vehicle Resource Description*)
- 0SCM\_TM\_VEHTYPE (*Resource Class*)

### **i** Note

DataSource 0SCM\_TM\_TRAZONE\_HIER is especially used to upload the zone hierarchy, which is based for locations and therefore updates the hierarchy of InfoObject 0APO\_LOCNO.

### 3 DataSources for Transactional Data

The following DataSources are used for transactional data to transfer data one-to-one from the SAP TM system to the SAP NetWeaver BW system into the Persistent Staging Area (PSA) and then into the DataStore object (DSO):

- 0SCM\_TM\_BSH  
*Transactional Data of Business Object Business Share*
- 0SCM\_TM\_TAL  
*Transactional Data of Business Object Transportation Allocation*
- 0SCM\_TM\_TRQ  
*Transactional Data of Business Object Transportation Request*
- 0SCM\_TM\_TRQ\_ITM  
*Transactional Item Data of Business Object Transportation Request*
- 0SCM\_TM\_TRQ\_STG  
*Transactional Data of Stage Information of Business Object Transportation Request*
- 0SCM\_TM\_TOR  
*Transactional Data of Business Object Transportation Order*
- 0SCM\_TM\_TOR\_ITM  
*Transactional Item Data of Business Object Transportation Order*
- 0SCM\_TM\_TOR\_EXE  
*Transactional Data of Execution Information of Business Object Transportation Order*
- 0SCM\_TM\_TOR\_STG  
*Transactional Data of Stage Information of Business Object Transportation Order*
- 0SCM\_TM\_TOR\_TCD  
*Transactional Data of Charge Distribution of Business Object Transportation Order*
- 0SCM\_TM\_TOR\_TDL  
*Transactional Data of Trade Lanes of Business Object Transportation Order*
- 0SCM\_TM\_CFIR  
*Transactional Data of Business Object Forwarding Settlement Document*
- 0SCM\_TM\_CFIR\_ITM  
*Transactional Item Data of Business Object Forwarding Settlement Document*
- 0SCM\_TM\_CFIR\_PTC  
*Transactional Data of Business Object Forwarding Settlement Document for Planned Transport. Charges*
- 0SCM\_TM\_SFIR  
*Transactional Data of Business Object Freight Settlement Document*
- 0SCM\_TM\_SFIR\_ITM  
*Transactional Item Data of Business Objects Freight Settlement Document*
- 0SCM\_TM\_SFIR\_PTC  
*Transactional Data of Business Object Freight Settlement Document for Planned Transportation Charges*
- 0SCM\_TM\_SFIR\_IV  
*Transactional Data of Business Object Freight Settlement Document Item IV Information (Actual Costs)*
- 0SCM\_TM\_SFIR\_TCD  
*Transactional Data of Charge Distribution of Business Object Freight Settlement Document*



- 0SCM\_TM\_FAG  
*Transactional Data of Business Object Freight Agreement*
- 0SCM\_TM\_FAG\_ITM  
*Transactional Data of Business Object Freight Agreement Item*
- 0SCM\_TM\_FAG\_REF  
*Transactional Data of Business Object Freight Agreement References*

# 4 Defining the BW Relevance for Business Document Types

## Context

You use this procedure to indicate business document types of business documents (for example, a forwarding order) relevant for SAP NetWeaver BW. During an upload from SAP TM to SAP NetWeaver BW, data is transferred from the documents indicated as relevant.

You can indicate the following business document types as relevant for SAP NetWeaver BW:

- Freight order types
- Freight booking types
- Freight unit types
- Forwarding order types
- Forwarding quotation types
- Forwarding settlement document types
- Freight settlement document types
- Order-based transportation requirement types
- Delivery-based transportation requirement types
- Transportation allocations and business shares
- Freight agreement RFQ types
- Forwarding agreement quotation types
- Freight agreement types
- Forwarding agreement and service product catalog types
- Internal agreement types

## Procedure

In Customizing for SAP TM, choose one of the following paths:

- BW relevance of freight order types:  
    ▶ [SAP Transportation Management](#) ▶ [Transportation Management](#) ▶ [Freight Order Management](#) ▶ [Freight Order](#) ▶ [Define Freight Order Types](#) ▶  
    Select the *BW Relev.* checkbox.
- BW relevance of freight booking types:  
    ▶ [SAP Transportation Management](#) ▶ [Transportation Management](#) ▶ [Freight Order Management](#) ▶ [Freight Booking](#) ▶ [Define Freight Booking Types](#) ▶  
    Select the *BW Relev.* checkbox.

- BW relevance of freight unit types:
  - ▶ [SAP Transportation Management](#) ▶ [Transportation Management](#) ▶ [Planning](#) ▶ [Freight Unit](#) ▶ [Define Freight Unit Types](#) ▶.
  - Select the *BW Relev.* checkbox.
- BW relevance of forwarding order types:
  - ▶ [SAP Transportation Management](#) ▶ [Transportation Management](#) ▶ [Forwarding Order Management](#) ▶ [Forwarding Order](#) ▶ [Define Forwarding Order Types](#) ▶.
  - Select the *BW Relev.* checkbox.
- BW relevance of forwarding quotation types:
  - ▶ [SAP Transportation Management](#) ▶ [Transportation Management](#) ▶ [Forwarding Order Management](#) ▶ [Forwarding Quotation](#) ▶ [Define Forwarding Quotation Types](#) ▶.
  - Select the *BW Relev.* checkbox.
- BW relevance of forwarding settlement documents:
  - ▶ [SAP Transportation Management](#) ▶ [Transportation Management](#) ▶ [Settlement](#) ▶ [Forwarding Settlement](#) ▶ [Define Forwarding Settlement Document Types](#) ▶.
  - Select a Forwarding Settlement Document. Choose *Details*. Select the *BW Relev.* checkbox.
- BW relevance of freight settlement documents:
  - ▶ [SAP Transportation Management](#) ▶ [Transportation Management](#) ▶ [Settlement](#) ▶ [Freight Settlement](#) ▶ [Define Freight Settlement Document Types](#) ▶.
  - Select a Freight Settlement Document. Choose *Details*. Select the *BW Relev.* checkbox.
- BW relevance of order-based transportation requirements:
  - ▶ [SAP Transportation Management](#) ▶ [Integration](#) ▶ [ERP Logistics Integration](#) ▶ [Order-Based Transportation Requirement](#) ▶ [Define Order-Based Transportation Requirement Types](#) ▶.
  - Select the *BW Relev.* checkbox.
- BW relevance of delivery-based transportation requirement types:
  - ▶ [SAP Transportation Management](#) ▶ [Integration](#) ▶ [ERP Logistics Integration](#) ▶ [Delivery-Based Transportation Requirement](#) ▶ [Define Delivery-Based Transportation Requirement Types](#) ▶.
  - Select the *BW Relev.* checkbox.
- BW relevance of transportation allocations and business shares:
  - ▶ [SAP Transportation Management](#) ▶ [Planning](#) ▶ [General Settings](#) ▶ [Define Transportation Allocation Settings](#) ▶.
  - Select the *TAL BW Relevance* checkbox (Transportation Allocation).
  - Select the *BS BW Relevance* checkbox (Business Share).
- BW relevance of freight agreement RFQ types:
  - ▶ [SAP Transportation Management](#) ▶ [Transportation Management](#) ▶ [Master Data](#) ▶ [Agreement RFQs and Quotations](#) ▶ [Define Freight Agreement RFQ Types](#) ▶.
  - Select the *BW Relev.* checkbox.
- BW relevance of forwarding agreement quotation types:
  - ▶ [SAP Transportation Management](#) ▶ [Transportation Management](#) ▶ [Master Data](#) ▶ [Agreement RFQs and Quotations](#) ▶ [Define Forwarding Agreement Quotation Types](#) ▶.
  - Select the *BW Relevance* checkbox.
- BW relevance of freight agreement types:
  - ▶ [SAP Transportation Management](#) ▶ [Transportation Management](#) ▶ [Master Data](#) ▶ [Agreement and Service Products](#) ▶ [Define Freight Agreement Types](#) ▶.

Select the *BW Relevance* checkbox.

- BW relevance of forwarding agreement and service product catalog types:

▶ *SAP Transportation Management* ▶ *Transportation Management* ▶ *Master Data* ▶ *Agreement and Service Products* ▶ *Define FWA and Service Product Catalog Types* ▶.

Select the *BW Relevance* checkbox.

- BW relevance of internal agreement types:

▶ *SAP Transportation Management* ▶ *Transportation Management* ▶ *Master Data* ▶ *Agreement and Service Products* ▶ *Define Internal Agreement Types* ▶.

Select the *BW Relevance* checkbox.

# 5 Setting Up the Initial Data Upload to SAP NetWeaver BW

## Use

You use this procedure to perform an initial data upload from SAP TM to SAP NetWeaver BW and to initialize the delta queues. The initial data upload is done using setup tables in SAP TM for existing data.

The following initialization options are available:

- Delta initialization **without** data transfer  
In this case, the system does not use setup tables and initialization reports in SAP TM. There is only an initialization from SAP NetWeaver BW.
- Delta initialization **with** data transfer  
In this case, you must do the following:
  - Delete all data in the setup tables.
  - Fill the setup tables with data from the extractor.
  - Check data in the setup tables.

For more information, see the *Procedure* section further down in this topic.

### → Recommendation

To avoid data loss, run the initial upload when there is no data traffic.

### i Note

The delta initialization with data transfer is one option to do the initial data upload and delta initialization in one step. Furthermore, it is also possible to do this in two steps:

1. Initial data upload with update mode *Full Update*
2. Delta initialization without data transfer

## Prerequisites

To display the SAP TM-specific menu on the SAP Easy Access screen, choose the Customizing activity *Definition on initial menu* in Customizing for *SAP NetWeaver* under ► *Application Server* ► *System Administration* ►, and set the initial menu to */SCMB/MENUE*.

The system considers only business objects for the initial data upload which have the following life cycle status values:

<b>Business Object</b>	<b>Life Cycle Statuses</b>
Transportation request	<i>Completed</i>
Transportation order	In Customizing, you can add the status values <i>In Process</i> , <i>New</i> , and <i>Completed</i> .
Forwarding settlement document	<i>Ready for Invoicing in SAP ERP</i> <i>Transferred for Invoicing in SAP ERP</i> <i>Invoiced in SAP ERP</i> <i>Ready for Credit Memo Creation in SAP ERP</i> <i>Transferred for Credit Memo Creation in SAP ERP</i> <i>Credit Memo Created in SAP ERP</i>
Freight settlement document	<i>Ready for Accruals</i> <i>Transferred for Accruals</i> <i>Accruals Posted</i> <i>Invoice Verified in SAP ERP</i>
Transportation allocation	Not applicable
Business share	Not applicable
Trade lane	Not applicable
Transportation order execution information	Not applicable
Master RFQ	<i>Published</i>
RFQ	<i>Submitted</i>
Service product and agreement	<i>Released</i>

## Procedure

### Step 1: Initializing the Setup Tables

1. To delete all data in the setup tables, on the *SAP Easy Access* screen, choose **Transportation Management > Administration > Initial Data Upload to SAP NetWeaver BW > Initialize Setup Tables**.
2. Select setup tables by selecting the corresponding checkboxes (for example the *Transportation Order* checkbox).
3. Choose *Execute*.

**Result:** The setup tables are empty.

## Step 2: Filling the Setup Tables (Initialization with Data)

1. To load existing data into the setup tables, on the *SAP Easy Access* screen, choose one of the following paths:
  - ► *Transportation Management* ► *Administration* ► *Initial Data Upload to SAP NetWeaver BW* ► *Upload of Transportation Requests* ►  
The *Transportation Request Selection for Init. Upload to SAP NetWeaver BW* screen appears.  
Under *Business Document Identification* and under *Management Data*, you can enter selection criteria, if required.
  - ► *Transportation Management* ► *Administration* ► *Initial Data Upload to SAP NetWeaver BW* ► *Upload of Transportation Orders* ►  
The *Transportation Order Selection for Initial Upload to SAP NetWeaver BW* screen appears.  
Under *Business Document Identification* and under *Management Data*, you can enter selection criteria, if required.  
Under Additional Extraction, you can specify whether you want to upload *Trade Lanes*, Transportation Order *Execution Information*, and/or *Charge Distribution* data. Choose the appropriate checkbox.
  - ► *Transportation Management* ► *Administration* ► *Initial Data Upload to SAP NetWeaver BW* ► *Upload of Forwarding Settlement Documents* ►  
The *FWSD Selection for Initial Upload to SAP NetWeaver BW* screen appears.  
Under *Business Document Identification* and under *Management Data*, you can enter selection criteria, if required.
  - ► *Transportation Management* ► *Administration* ► *Initial Data Upload to SAP NetWeaver BW* ► *Upload of Freight Settlement Documents* ►  
The *FSD Selection for Initial Upload to SAP NetWeaver BW* screen appears.  
Under *Business Document Identification* and under *Management Data*, you can enter selection criteria, if required.  
Under Additional Extraction, you can specify whether you want to upload *Charge Distribution* data. Choose the appropriate checkbox.
  - ► *Transportation Management* ► *Administration* ► *Initial Data Upload to SAP NetWeaver BW* ► *Upload of Business Shares* ►  
The *Business Share Selection for Initial Upload to SAP NetWeaver BW* screen appears.  
Under *Business Document Identification* and under *Management Data*, you can enter selection criteria, if required.
  - ► *Transportation Management* ► *Administration* ► *Initial Data Upload to SAP NetWeaver BW* ► *Upload of Transportation Allocations* ►  
The *Transportation Allocation Selection Initial Upload to SAP NetWeaver BW* screen appears.  
Under *Business Document Identification* and under *Management Data*, you can enter selection criteria, if required.
  - ► *Transportation Management* ► *Administration* ► *Initial Data Upload to SAP NetWeaver BW* ► *Upload of Agreements* ►  
The *Agreement Selection Initial Upload to SAP NetWeaver BW* screen appears.  
Under *Business Document Identification*, you can enter selection criteria, if required.
2. Choose *Execute*.

**Result:** When loading data into the SAP NetWeaver BW system, the corresponding setup tables are filled with data from the extractor.

## i Note

Instead of using the setup programs via SAP Easy Access, there is another way to get the setup tables filled. This procedure is especially developed for SAP TM and provides a complete guided procedure in order to initialize setup tables, do a complete setup of all required DataSources, and check the result of the setup. This procedure can be found at ► [SAP NetWeaver Business Client](#) ► [Application Administration](#) ► [BI Processing](#) ► [BI Extractor Cockpit for Setup of Statistic Data](#) ►.

This guided procedure is especially made for huge amounts of data for the complete setup of SAP TM statistic data on the customer site and provides six steps. Therefore it doesn't provide the setup of single documents, for example, for text reasons.

1. Initialize setup tables.
2. Maintain package sizes.
3. Start extraction.
4. Monitor extraction.
5. RFC log of extraction process.
6. View setup tables (this is a higher performing method than using transaction RSA3 or the Extractor checker).

### Step 3: Checking the Data in the Setup Tables

1. Access the [Maintain DataSources](#) report (transaction RSA6) to perform a DataSource extraction test.
2. On the [Postprocess DataSources and Hierarchy](#) screen, choose ► [Transportation Management DataSources](#) ► [Transportation Management](#) ►.
3. Select a DataSource.
4. In the context menu of the DataSource, choose [DataSource Extraction Test](#).

**Result:** The system displays the data records in a detailed view.



# 6 Enabling a Delta Data Upload to SAP NetWeaver BW in SAP TM

## Use

You use this procedure to make the settings for a delta data upload from one of the following business objects in SAP TM to SAP NetWeaver BW:

- Transportation order (TO)
- Transportation request (TR)
- Freight settlement document (FSD)
- Forwarding settlement document (FWSD)
- Business share
- Transportation allocation
- Freight agreement

## Prerequisites

You have performed an initial data upload to SAP NetWeaver BW (initialization with or without data transfer). For more information, see section [Setting Up the Initial Data Upload to SAP NetWeaver BW \[page 21\]](#).

## Procedure

### Step 1: Enabling Delta Data Upload for Business Objects

1. In Customizing for SAP TM, choose **► Cross-Application Components ► Processes and Tools for Enterprise Applications ► Reusable Objects and Functions for BOPF Environment ► PPF Adapter for Output Management -> Maintain Output Management Adapter Settings**.
2. Choose the dialog structure *Direct Output Agents (w/o PPF & w/o History)*.
3. Select one of the following agents:
  - Transportation Order: TOR\_BW\_EXTRACTION
  - Transportation Request: TRQ\_BW\_EXTRACTION
  - Freight Settlement Document: SFIR\_BW\_EXTRACTION
  - Forwarding Settlement Document: CFIR\_BW\_EXTRACTION
  - Business Share: BSH\_BW\_EXTRACTION
  - Transportation Allocation: TAL\_BW\_EXTRACTION
  - Freight Agreement: FAG\_BW\_EXTRACTION
4. Choose *Details*.

5. Select the *Enable* checkbox.

### Step 2: Checking the Delta Queue

1. Access the *BW Delta Queue Monitor* report (transaction RSA7).
2. Select a DataSource.
3. Choose *Display data entries*.
4. Select the update mode *Delta Update* to check the RFC queue.

## Result

Once the delta data upload is enabled, the system calls the processor class when you save a business document. The system checks whether the upload conditions are fulfilled (for example, if the life cycle status is set to *Completed*). If the conditions are fulfilled, the system writes the data from the business object to the delta queues.

# 7 Enrichment of Location Master Data with the Continent Field

In Customizing for SAP Transportation Management (SAP TM), choose ► [Transportation Management](#) ► [Integration](#) ► [Integration to SAP NetWeaver Business Warehouse](#) ► [Assign Country to Continent](#) ▾.

In this Customizing activity, you assign a country to its continent. You can define a code for each continent and then you can enter a country name and code for which you can specify a continent. This setting is relevant to BI extraction for location master data only.

You must specify a default continent for each country - a default continent is required for the system to successfully complete BI extraction for location master data with DataSource 0APO\_LOCNO\_ATTR. The system uses this data to identify a continent for a given location.

You must only specify one default continent for each country.

# 8 Specifying Metachains and Process Chains for SAP TM BI Content

## Use

Metachains and process chains provide parts of business object (BO)-specific data flows. You can use process chains like modules to set up a customer-specific data flow.

## Features

- You can use the standard process or metachains delivered by SAP.

### i Note

You need to manually activate these process or metachains. You can select process chains using the textual description (such as **Transport\***) or the technical name (such as **OSCM\***).

SAP delivers process and metachains in the following components:

- Extraction Layer*
- Data Mart Layer*
- Metachains*

### i Note

You use the delivered metachains only for the delta data upload to SAP NetWeaver BW.

- You can create customer-specific process chains and combine process chains to a new grouping. The result of this grouping constitutes a new metachain.

## Overview of Metachains and Process Chains

Below find an overview of the metachains, the process chains a metachain contains, and the order of execution of the process chains. In a metachain, first the process chains of the extraction layer and then the process chains of the data mart layer are executed. A metachain leads to an InfoCube.

InfoCube	Metachain	Process Chain Extraction Layer	Process Chain Data Mart Layer
Actual Costs (0TMS_C15)	Actual Costs (0SCM_TM_META_AC T_COSTS)	1. TO Consolidated (0SCM_TM_TOR_CONS) 2. FSD Consolidated (0SCM_TM_FSD_CONS) 3. FSD Invoice Verification (0SCM_TM_FSD_IV_INFO)	1. Actual Costs (0SCM_TM_ACTUAL_COSTS )

InfoCube	Metachain	Process Chain Extraction Layer	Process Chain Data Mart Layer
Planned Costs (0TMS_C14)	Planned Costs (0SCM_TM_META_PL_COSTS)	<ol style="list-style-type: none"> <li>TO Consolidated (0SCM_TM_TOR_CONS)</li> <li>FSD Consolidated (0SCM_TM_FSD_CONS)</li> <li>TO Stages (0SCM_TM_TOR_STG)</li> <li>FSD Planned Transportation Charges (0SCM_TM_FSD_PCHARGES)</li> </ol>	1. Planned Costs (0SCM_TM_PLANNED_COSTS)
Business Share (0TMS_C19)	Business Share Analysis (0SCM_TM_META_BSH)	1. Business Share (0SCM_TM_BSH)	1. Business Share (0SCM_TM_BSH_CUBE)
Transportation Order Execution (0TMS_C18)	Execution (0SCM_TM_META_EXE)	<ol style="list-style-type: none"> <li>TO Consolidated (0SCM_TM_TOR_CONS)</li> <li>TO Execution (0SCM_TM_TOR_EXE)</li> <li>TO Stages (0SCM_TM_TOR_STG)</li> </ol>	1. Execution (0SCM_TM_TOR_EXE_CUBE)
Revenues (0TMS_C16)	Revenues (0SCM_TM_META_REVENUES)	<ol style="list-style-type: none"> <li>TR Consolidated (0SCM_TM_TOQ_CONS)</li> <li>FWSD Consolidated (0SCM_TM_FWSD_CONS)</li> <li>FWSD Planned Transportation Charges (0SCM_TM_FWSD_PCHARGES)</li> </ol>	1. Revenues (0SCM_TM_REVENUES)
Transportation Allocation (0TMS_C20)	Transportation Allocation (0SCM_TM_META_TAL)	1. Transportation Allocation (0SCM_TM_TAL)	1. Transportation Allocation (0SCM_TM_TAL_CUBE)
Trade Lanes (0TMS_C21)	Trade Lane (0SCM_TM_META_TDL)	<ol style="list-style-type: none"> <li>TO Consolidated (0SCM_TM_TOR_CONS)</li> <li>TO Trade Lanes (0SCM_TM_TOR_TDL)</li> <li>TO Stages (0SCM_TM_TOR_STG)</li> </ol>	<ol style="list-style-type: none"> <li>TO Stages Consolidated (0SCM_TM_TOR_STG_CONS)</li> <li>Trade Lanes (0SCM_TM_TOR_TDL_CUBE)</li> </ol>
Transportation Order (0TMS_C12)	Transportation Order (0SCM_TM_META_TOR)	1. TO Consolidated (0SCM_TM_TOR_CONS)	1. Transportation Order Data (0SCM_TM_TOR_CUBE)
Transportation Request (0TMS_C11)	Transportation Request (0SCM_TM_META_TRQ)	1. TR Consolidated (0SCM_TM_TRQ_CONS)	1. Transportation Request Data (0SCM_TM_TRQ_CUBE)

InfoCube	Metachain	Process Chain Extraction Layer	Process Chain Data Mart Layer
Transportation Order Stages (0TMS_C23)	TO Stages (0SCM_TM_META_TOR_STG)	1. TO Consolidated (0SCM_TM_TOR_CONS) 2. TO Stages (0SCM_TM_TOR_STG)	1. TO Stages Consolidated (0SCM_TM_TOR_STG_CONS) ) 2. TO Stages (0SCM_TM_TOR_STG_CUBE) )
Transportation Request Stages (0TMS_C22)	TR Stages (0SCM_TM_META_TRQ_STG)	1. TR Consolidated (0SCM_TM_TRQ_CONS) 2. TR Stages (0SCM_TM_TRQ_STG)	1. TR Stages (0SCM_TM_TRQ_STG_CUBE) )
Agreement (0TMS_C25)	Agreement (0SCM_TM_META_FAG)	1. Agreement (0SCM_TM_FAG)	1. Agreement (0SCM_TM_FAG_CUBE)

# 9 Business Add-Ins

## Use

You can use the following Business Add-Ins (BAdIs) to specify conditions or to enhance the extraction structures for the data upload:

- *BAdI: Condition for Extraction*  
You use this BAdI to change the conditions for the initial or delta upload of business objects data. For example, you specify that the business document data to be uploaded has a life cycle status other than *Completed*.
- *BAdI: Fill Extraction Structures*  
You use this BAdI to enhance the extraction structures for the data upload of the different business objects. For example, you specify that the system fills fields differently in the standard extraction structure or uses additional fields in a customer append.

## Activities

To access the BAdIs, choose in Customizing for SAP TM one of the following paths:

- [SAP Transportation Management](#) > [Transportation Management](#) > [Business Add-Ins \(BAdIs\) for Transportation Management](#) > [Basic Functions](#) > [Business Warehouse](#) > [BAdI: Condition for Extraction](#)
- [SAP Transportation Management](#) > [Transportation Management](#) > [Business Add-Ins \(BAdIs\) for Transportation Management](#) > [Basic Functions](#) > [Business Warehouse](#) > [BAdI: Fill Extraction Structures](#)

# Important Disclaimers and Legal Information

## Hyperlinks

Some links are classified by an icon and/or a mouseover text. These links provide additional information.

About the icons:

- Links with the icon : You are entering a Web site that is not hosted by SAP. By using such links, you agree (unless expressly stated otherwise in your agreements with SAP) to this:
  - The content of the linked-to site is not SAP documentation. You may not infer any product claims against SAP based on this information.
  - SAP does not agree or disagree with the content on the linked-to site, nor does SAP warrant the availability and correctness. SAP shall not be liable for any damages caused by the use of such content unless damages have been caused by SAP's gross negligence or willful misconduct.
- Links with the icon : You are leaving the documentation for that particular SAP product or service and are entering a SAP-hosted Web site. By using such links, you agree that (unless expressly stated otherwise in your agreements with SAP) you may not infer any product claims against SAP based on this information.

## Beta and Other Experimental Features

Experimental features are not part of the officially delivered scope that SAP guarantees for future releases. This means that experimental features may be changed by SAP at any time for any reason without notice. Experimental features are not for productive use. You may not demonstrate, test, examine, evaluate or otherwise use the experimental features in a live operating environment or with data that has not been sufficiently backed up.

The purpose of experimental features is to get feedback early on, allowing customers and partners to influence the future product accordingly. By providing your feedback (e.g. in the SAP Community), you accept that intellectual property rights of the contributions or derivative works shall remain the exclusive property of SAP.

## Example Code

Any software coding and/or code snippets are examples. They are not for productive use. The example code is only intended to better explain and visualize the syntax and phrasing rules. SAP does not warrant the correctness and completeness of the example code. SAP shall not be liable for errors or damages caused by the use of example code unless damages have been caused by SAP's gross negligence or willful misconduct.

## Gender-Related Language

We try not to use gender-specific word forms and formulations. As appropriate for context and readability, SAP may use masculine word forms to refer to all genders.





© 2019 SAP SE or an SAP affiliate company. All rights reserved.

No part of this publication may be reproduced or transmitted in any form or for any purpose without the express permission of SAP SE or an SAP affiliate company. The information contained herein may be changed without prior notice.

Some software products marketed by SAP SE and its distributors contain proprietary software components of other software vendors. National product specifications may vary.

These materials are provided by SAP SE or an SAP affiliate company for informational purposes only, without representation or warranty of any kind, and SAP or its affiliated companies shall not be liable for errors or omissions with respect to the materials. The only warranties for SAP or SAP affiliate company products and services are those that are set forth in the express warranty statements accompanying such products and services, if any. Nothing herein should be construed as constituting an additional warranty.

SAP and other SAP products and services mentioned herein as well as their respective logos are trademarks or registered trademarks of SAP SE (or an SAP affiliate company) in Germany and other countries. All other product and service names mentioned are the trademarks of their respective companies.

Please see <https://www.sap.com/about/legal/trademark.html> for additional trademark information and notices.